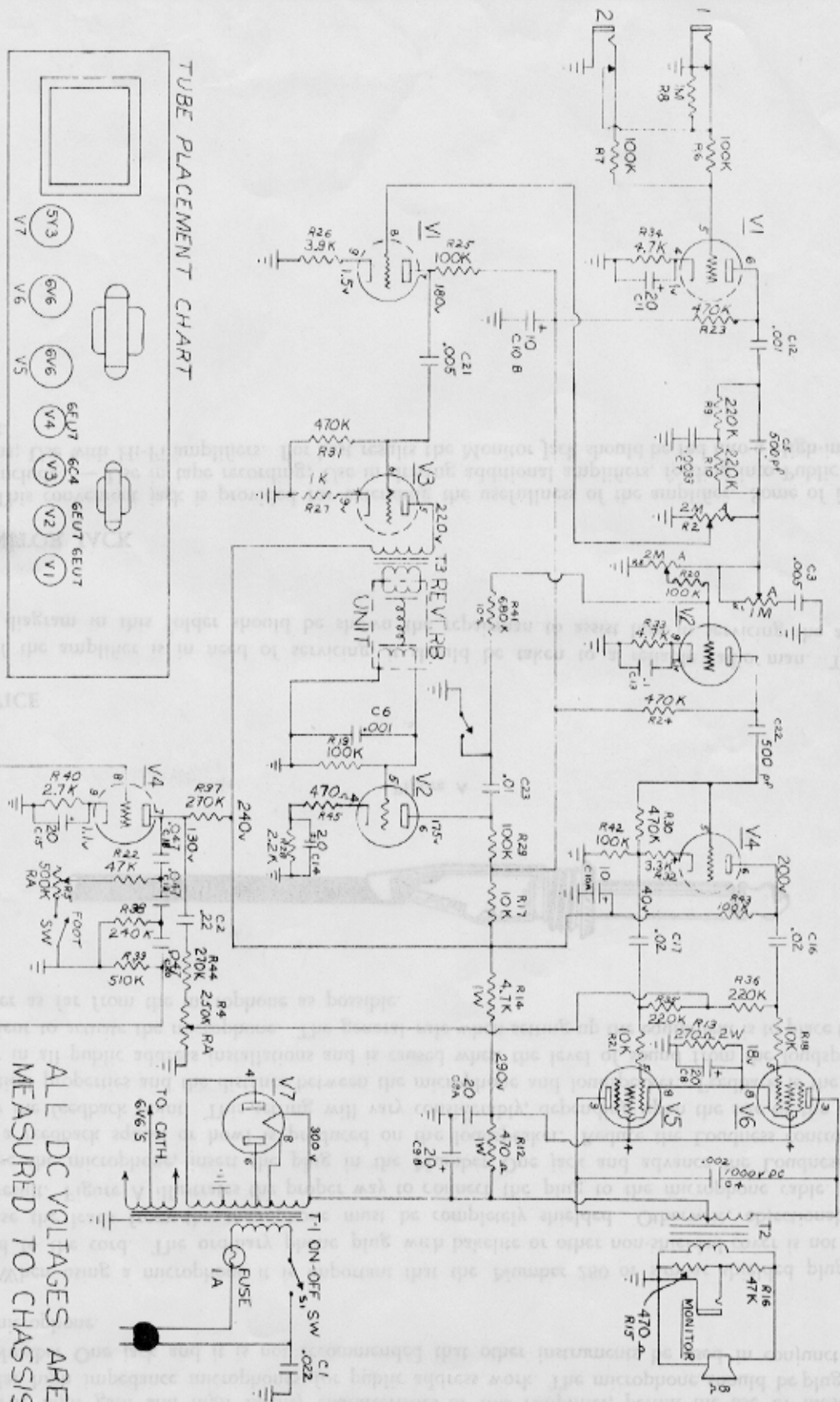


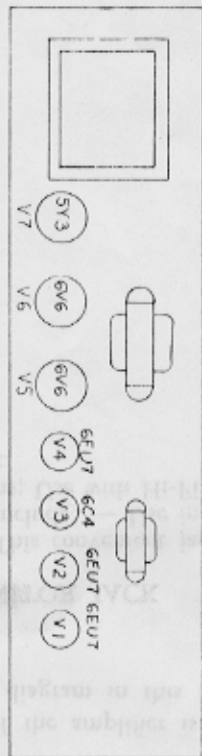
R2, R3 Loudness & Reverb. Control, 2 meg audio taper
 R4 Depth Control, 250K reversed audio
 R5 Frequency Control, 500K reversed audio
 R1 Tone Control, 1 meg audio taper

T1 Output Transformer
 T2 Power Transformer
 T3 Reverb/Reverberation Transformer
 Toggle Switch (on-off) with 2 nuts
 12" Speaker

TP-1B-01
 TP-1BP
 TP-S-6A00
 SW-099A
 S-20009



TUBE PLACEMENT CHART



ALL DC VOLTAGES ARE MEASURED TO CHASSIS WITH V.T.V.M.