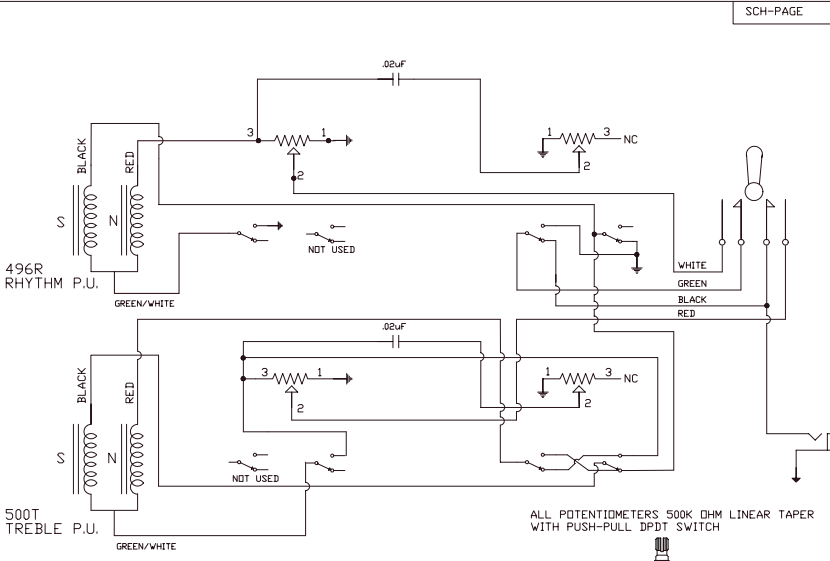


LTR	REVISION	ECN NO.	DATE	GIBSON GUITAR CORP. 641 MASSMAN DRIVE NASHVILLE, TN 37210 (615) 391-1580	PART: JIMMY PAGE WIRING DIAGRAM SCALE: NTS DRAWN: R. AKERS	DATE: 5/7/97 CHK:	MAT'L: NA PART NO: PAGE
-----	----------	---------	------	---	--	----------------------	----------------------------



Note: Tailpiece to be connected to common ground.
NC = NOT CONNECTED.

NOTE:
THIS DRAWING AND ALL OF THE INFORMATION HEREON
ARE THE CONFIDENTIAL PROPERTY OF GIBSON, INC. AND
MAY NOT BE REPRODUCED OR USED FOR ANY PURPOSE
EXCEPT AS EXPRESSLY AUTHORIZED IN WRITING BY GIBSON, INC.

SCALE:	DATE: 2/26/95	DESCRIPTION: JIMMY PAGE SCHEMATIC	GIBSON GUITAR CORP. 641 MASSMAN DR. NASHVILLE, TN 37210 (615) 391-1580
DRAWN BY: R. AKERS	CHECKED BY:	MATERIAL:	PART NO.