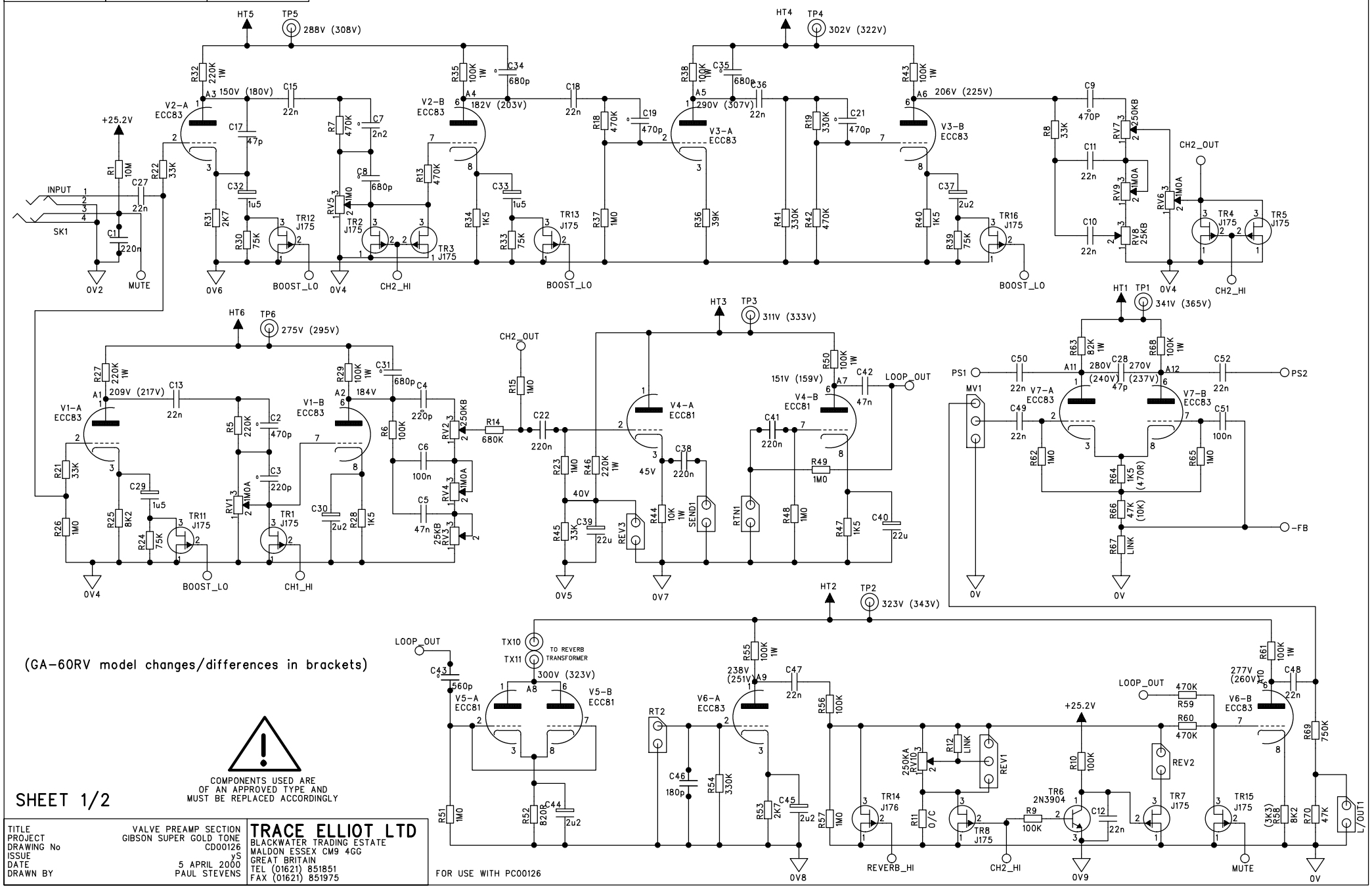


ISSUE CHANGE NOTE DATE	ISSUE CHANGE NOTE DATE	ISSUE CHANGE NOTE DATE
ISSUE CHANGE NOTE DATE	ISSUE CHANGE NOTE DATE	ISSUE CHANGE NOTE DATE

GIBSON SUPER GOLD TONE GUITAR AMPLIFIERS – MAIN PREAMP PCB

FOR USE ON:- GA-30RV & GA-60RV

PREAMP 1 & 2, LOOP, REVERB & PHASE SPLITTER



(GA-60RV model changes/differences in brackets)



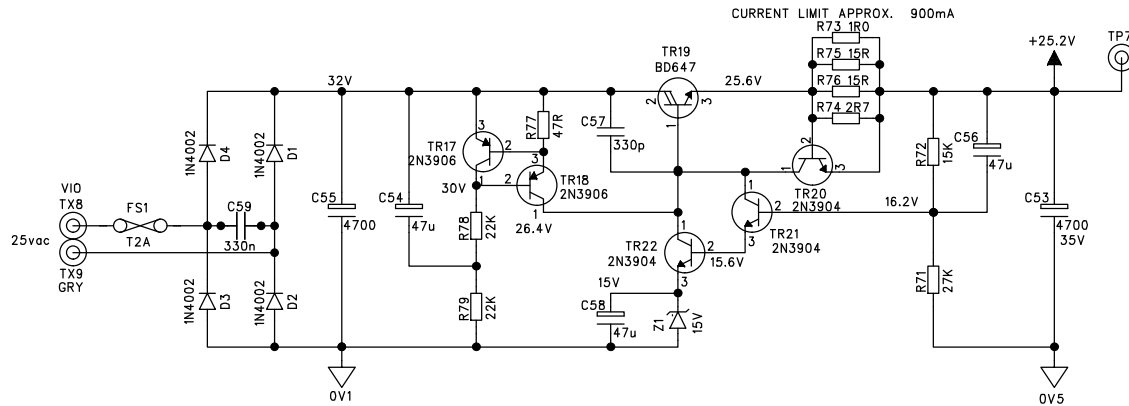
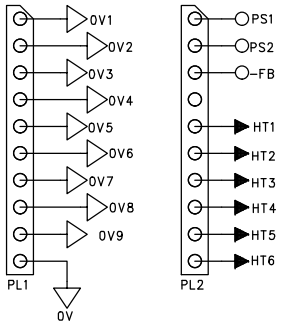
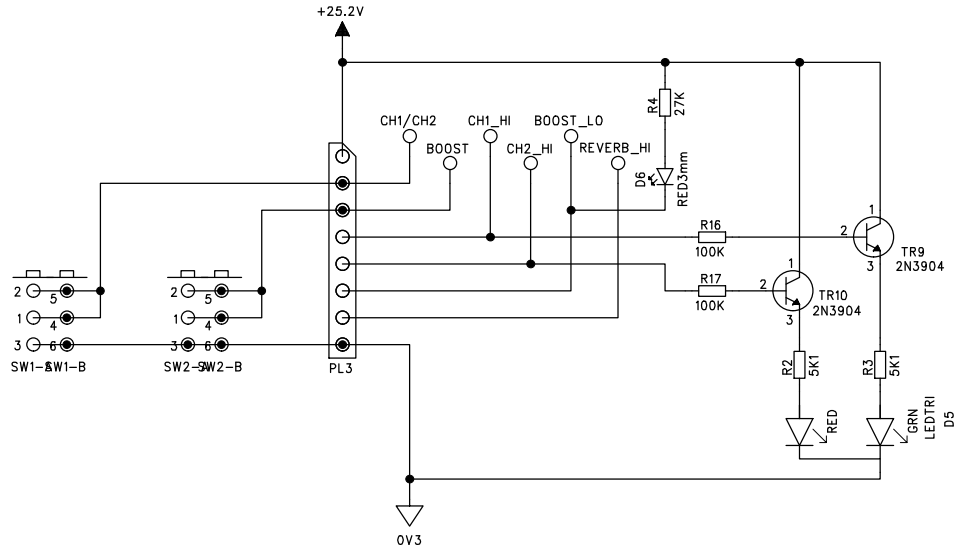
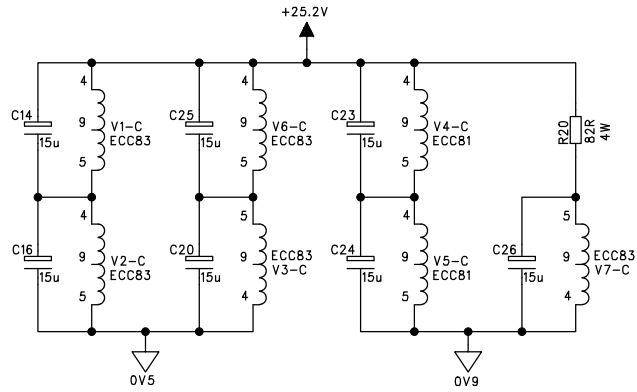
COMPONENTS USED ARE OF AN APPROVED TYPE AND MUST BE REPLACED ACCORDINGLY

SHEET 1/2

TITLE	VALVE PREAMP SECTION	TRACE ELLIOT LTD
PROJECT	GIBSON SUPER GOLD TONE	BLACKWATER TRADING ESTATE
DRAWING No	CD00126	MALDON ESSEX CM9 4GG
ISSUE	1	GREAT BRITAIN
DATE	5 APRIL 2000	TEL (01621) 851851
DRAWN BY	PAUL STEVENS	FAX (01621) 851975

FOR USE WITH PC00126

ISSUE CHANGE NOTE DATE	ISSUE CHANGE NOTE DATE	ISSUE CHANGE NOTE DATE
ISSUE CHANGE NOTE DATE	ISSUE CHANGE NOTE DATE	ISSUE CHANGE NOTE DATE



SHEET 2/2

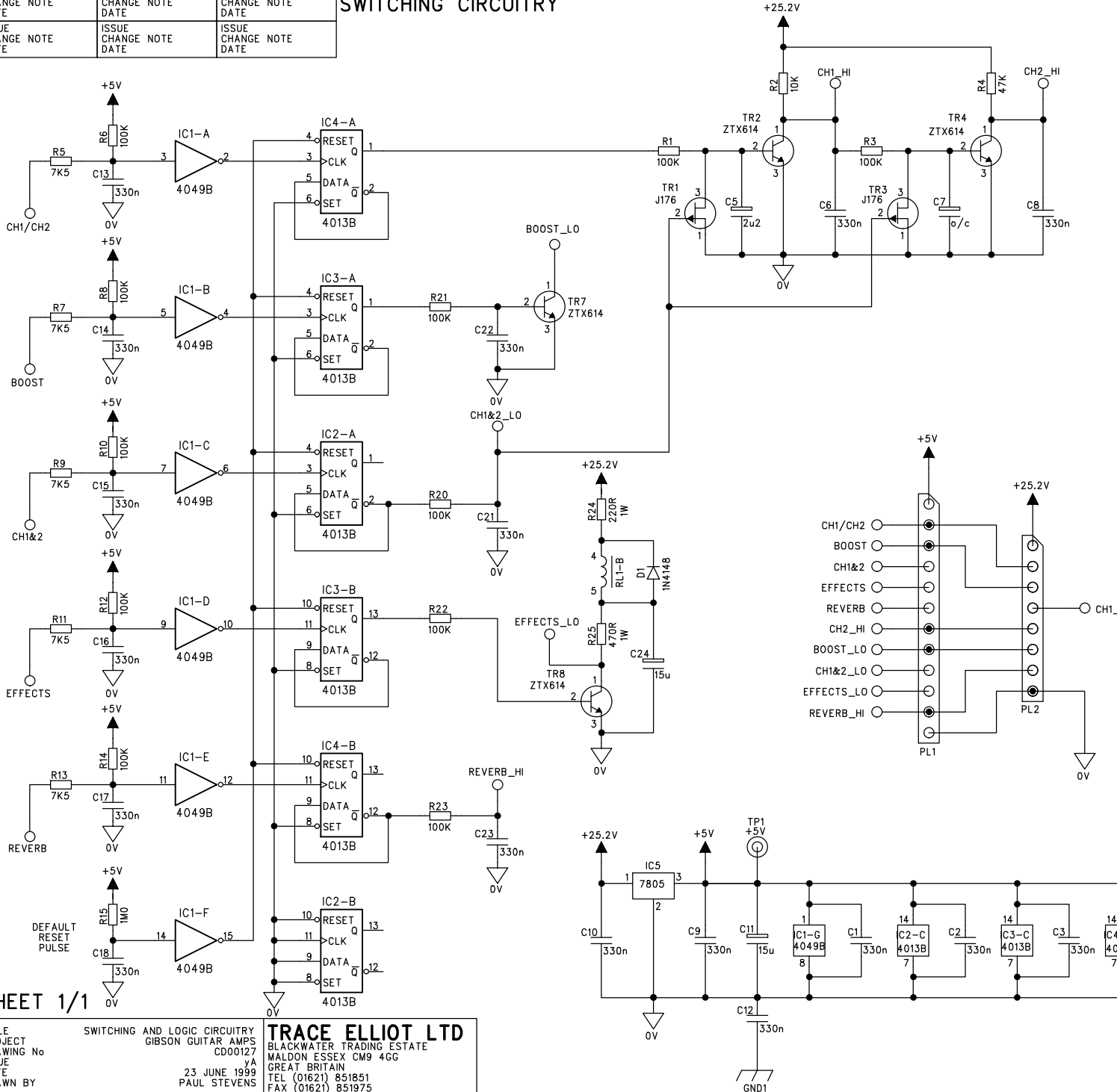
TITLE	HEATERS, SWITCHES & CONNECTIONS	TRACE ELLIOT LTD
PROJECT	GIBSON SUPER GOLD TONE	BLACKWATER TRADING ESTATE
DRAWING No	CD00126	MALDON ESSEX CM9 4GG
ISSUE	YS	GREAT BRITAIN
DATE	5 APRIL 2000	TEL (01621) 851851
DRAWN BY	PAUL STEVENS	FAX (01621) 851975



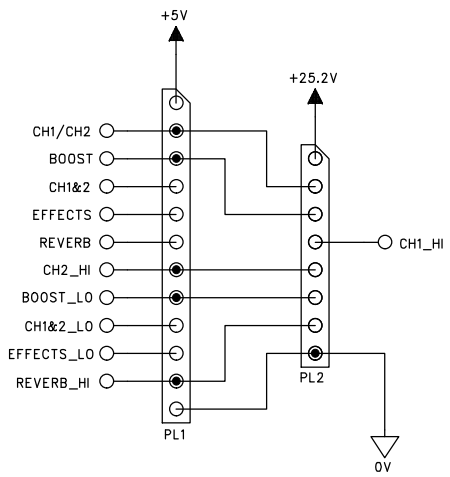
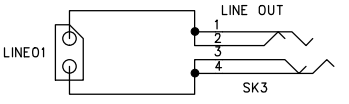
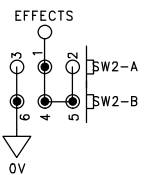
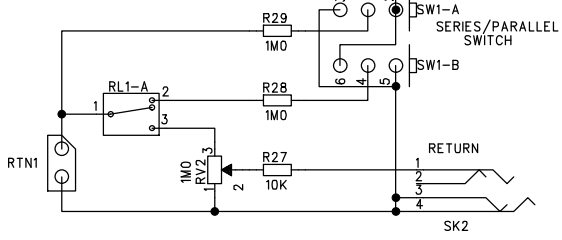
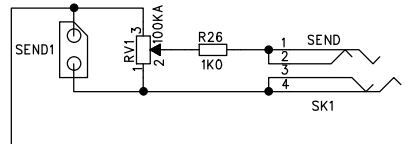
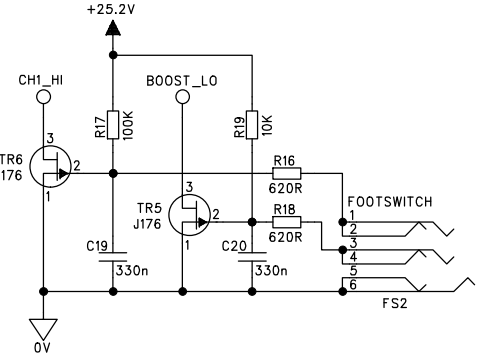
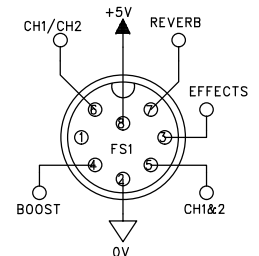
COMPONENTS USED ARE OF AN APPROVED TYPE AND MUST BE REPLACED ACCORDINGLY

ISSUE CHANGE NOTE DATE	ISSUE CHANGE NOTE DATE	ISSUE CHANGE NOTE DATE
ISSUE CHANGE NOTE DATE	ISSUE CHANGE NOTE DATE	ISSUE CHANGE NOTE DATE

SWITCHING CIRCUITRY



!
COMPONENTS USED ARE OF AN APPROVED TYPE AND MUST BE REPLACED ACCORDINGLY



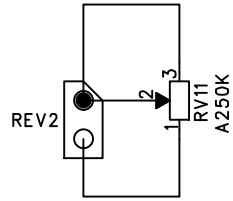
SHEET 1/1

TITLE	SWITCHING AND LOGIC CIRCUITRY	TRACE ELLIOT LTD
PROJECT	GIBSON GUITAR AMPS	BLACKWATER TRADING ESTATE
DRAWING No	CD00127	MALDON ESSEX CM9 4GG
ISSUE	vA	GREAT BRITAIN
DATE	23 JUNE 1999	TEL (01621) 851851
DRAWN BY	PAUL STEVENS	FAX (01621) 851975

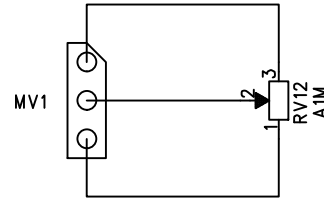
ISSUE CHANGE NOTE DATE	ISSUE CHANGE NOTE DATE	ISSUE CHANGE NOTE DATE
ISSUE CHANGE NOTE DATE	ISSUE CHANGE NOTE DATE	ISSUE CHANGE NOTE DATE

REVERB 2 / MASTER VOLUME BOARD

FOR USE ON GIBSON Super 'GoldTone'



REVERB 2



MASTER VOLUME



COMPONENTS USED ARE
OF AN APPROVED TYPE AND
MUST BE REPLACED ACCORDINGLY

FOR USE WITH PC00128

CONNECTS TO:-

PC00126 CD00126 VALVE PREAMP

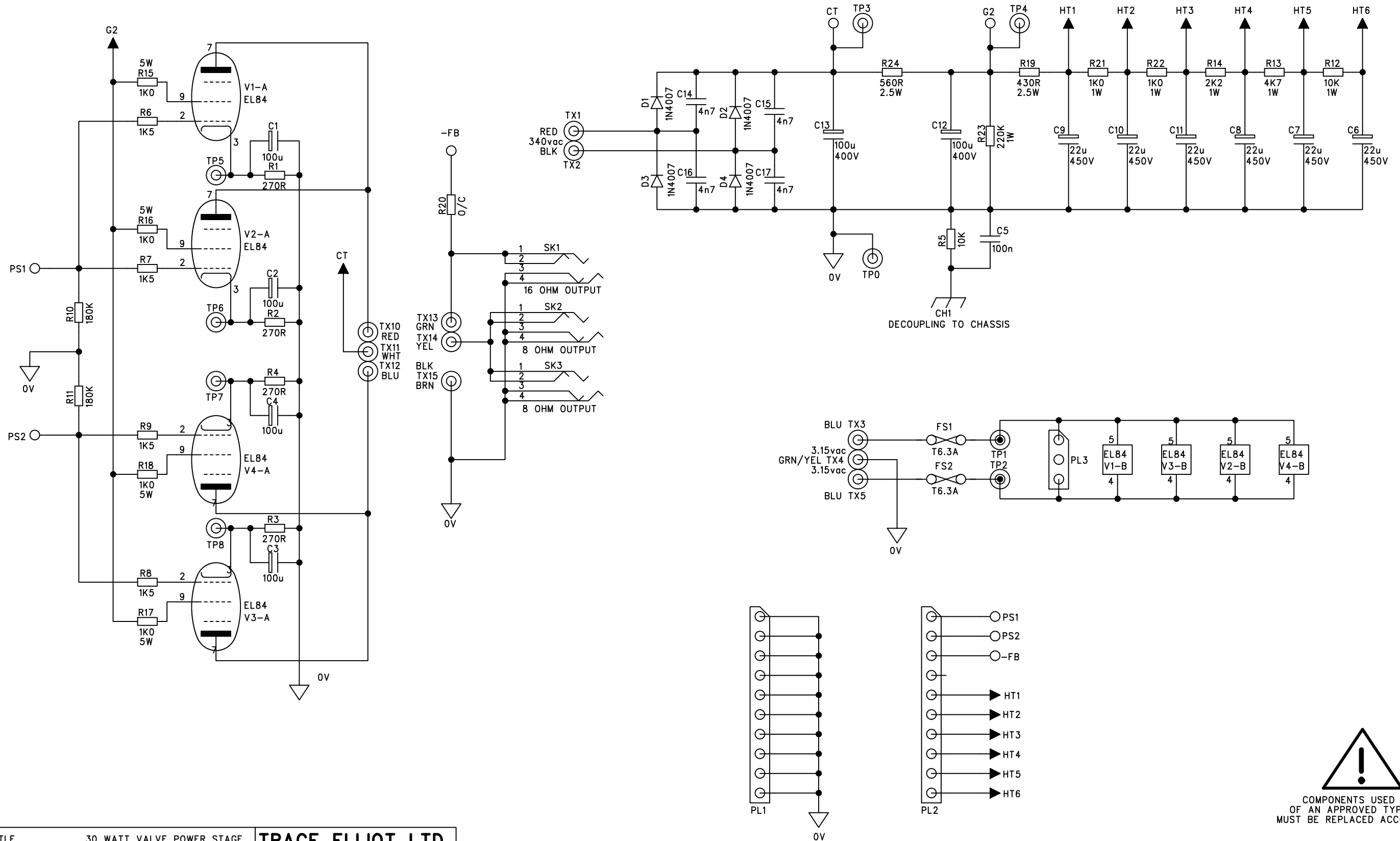
TITLE REVERB 2 & MASTER VOLUME BOARD
 PROJECT GIBSON Super 'GoldTone'
 DRAWING No CD00128
 ISSUE 1
 DATE 14 JULY 1999
 DRAWN BY PAUL STEVENS

TRACE ELLIOT LTD
 BLACKWATER TRADING ESTATE
 MALDON ESSEX CM9 4GG
 GREAT BRITAIN
 TEL (01621) 851851
 FAX (01621) 851975

ISSUE CHANGE DATE	NOTE	ISSUE CHANGE DATE	NOTE	ISSUE CHANGE DATE	NOTE

GIBSON SUPER GOLD TONE

30 WATT VALVE OUTPUT STAGE

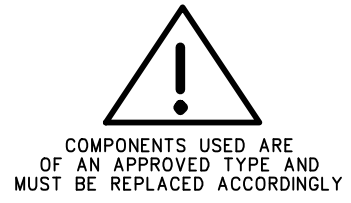


TITLE
PROJECT
DRAWING No
ISSUE
DATE
DRAWN BY

30 WATT VALVE POWER STAGE
GIBSON SUOER GOLD TONE
CD00130
D
8 JANUARY 1999
PAUL STEVENS

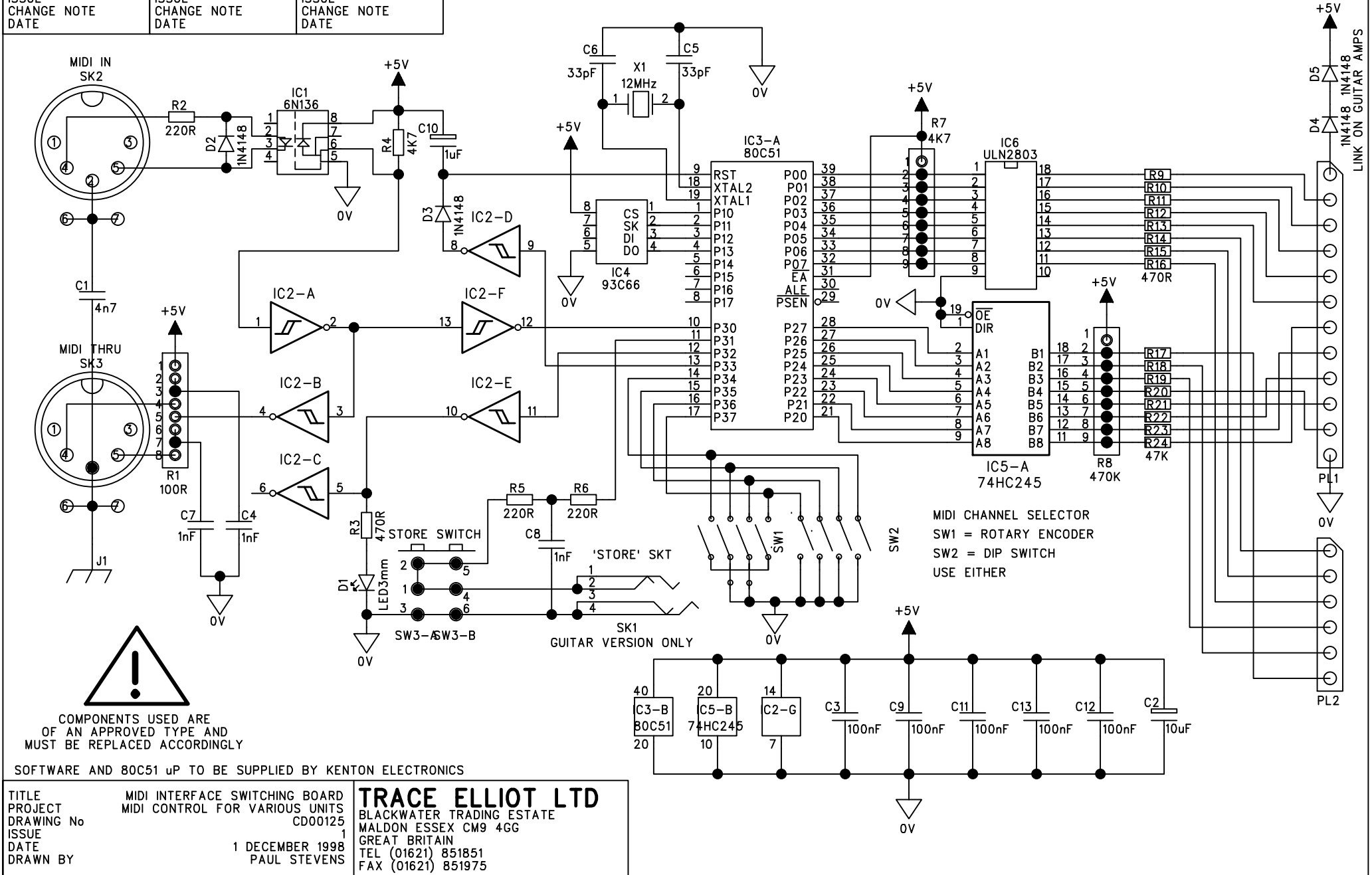
TRACE ELLIOT LTD
BLACKWATER TRADING ESTATE
MALDON ESSEX CM9 4GG
GREAT BRITAIN
TEL (01621) 851851
FAX (01621) 851975

FOR USE WITH PC00130



MIDI INTERFACE SWITCHING BOARD

ISSUE CHANGE NOTE DATE	ISSUE CHANGE NOTE DATE	ISSUE CHANGE NOTE DATE
ISSUE CHANGE NOTE DATE	ISSUE CHANGE NOTE DATE	ISSUE CHANGE NOTE DATE



TITLE: MIDI INTERFACE SWITCHING BOARD
 PROJECT: MIDI CONTROL FOR VARIOUS UNITS
 DRAWING No: CD00125
 ISSUE: 1
 DATE: 1 DECEMBER 1998
 DRAWN BY: PAUL STEVENS

TRACE ELLIOT LTD
 BLACKWATER TRADING ESTATE
 MALDON ESSEX CM9 4GG
 GREAT BRITAIN
 TEL (01621) 851851
 FAX (01621) 851975

C32-PCB-GA-30RV

GIBSON Super 'GoldTone' GA-30RV Main Valve Preamp

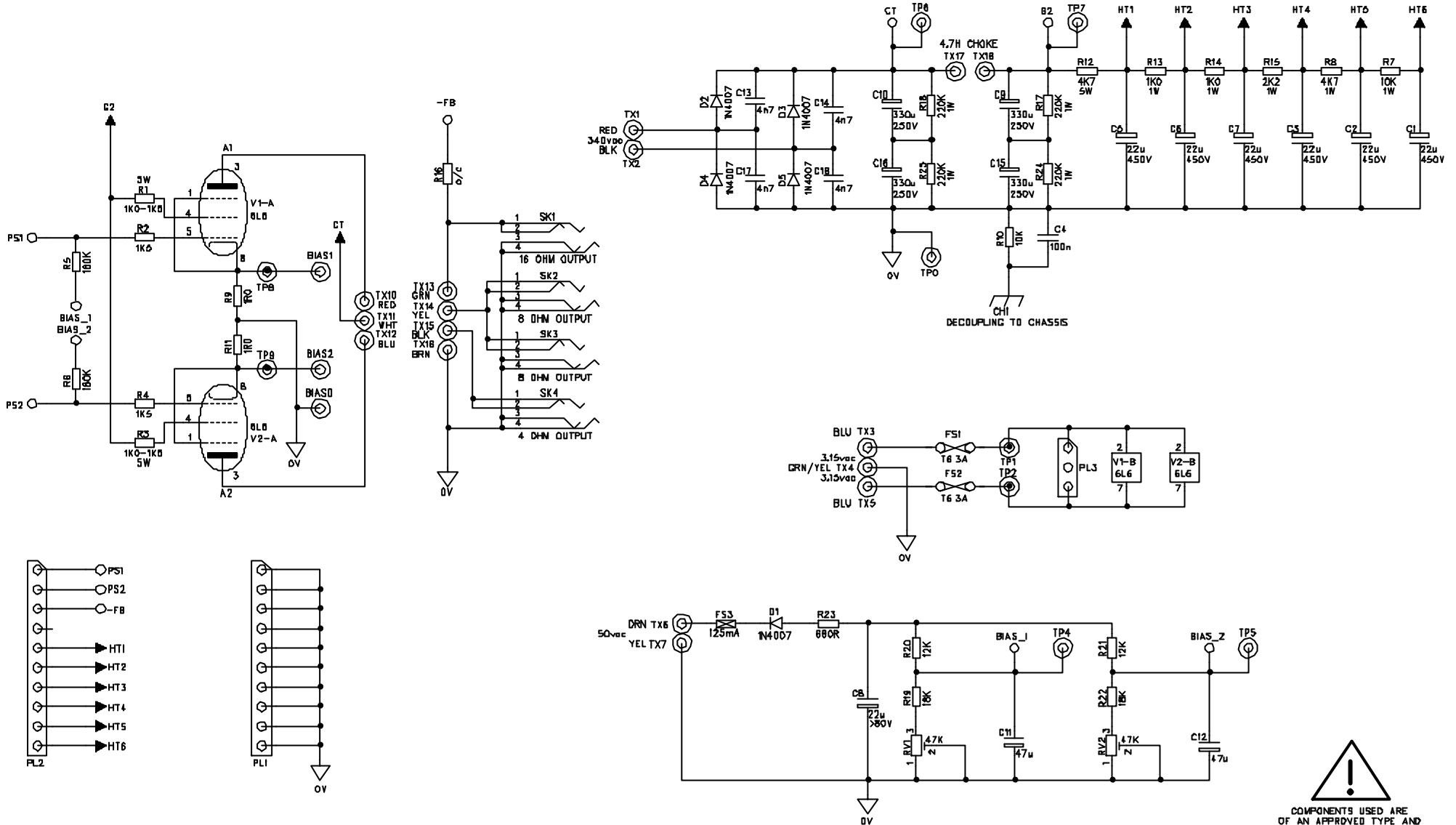
ISSUE 2 10/5/00 PS

Description	Part Code	Qty	Where Used
PCB	PC00126 issue 1	1	
	*** = formerly obsolete		(Part to be used when old part is used up)
A.I. MACHINE			
0 OHM LINK	72-RCZERO	2	R12 R67
1R0 1/4W	72-RM1R***	1	R73 (inform PS)
2R7 1/4W	72-RM2R7	1	R74
15R 1/4W	72-RM15R***	2	R75 R76 (inform PS)
47R 1/4W	72-RM47R	1	R77
820R 1/4W	72-RM820R***	1	R52 (72-RM1K)
1K5 1/4W	72-RM1K5	5	R28 R34 R40 R47 R64
2K7 1/4W	72-RM2K7	2	R31 R53
5K1 1/4W	72-RM5K1***	2	R2 R3 (72-RM4K7)
8K2 1/4W	72-RM8K2	2	R25 R58
10K 1W	72-RM10K-1WATT	1	R44
15K 1/2W carbon	72-RC15K-.5W***	1	R72 (72-RM15K)
22K 1/2W carbon	72-RC22K-.5W***	2	R78 R79 (72-RM22K)
27K 1/4W	72-RM27K	2	R4 R71
33K 1/4W	72-RM33K	4	R8 R21 R22 R45
39K 1/4W	72-RM39K	1	R36
47K 1/4W carbon	72-RC47K-.25W***	2	R66 R70 (72-RM47K)
75K 1/4W	72-RM75K***	4	R24 R30 R33 R39 (72-RM100K)
82K 1W	72-RM82K-1WATT	1	R63
100K 1/4W	72-RM100K	6	R6 R9 R10 R16 R17 R56
100K 1W	72-RM100K-1WATT	8	R29 R35 R38 R43 R50 R55 R61 R68
220K 1/4W	72-RM220K	1	R5
220K 1W	72-RM220K-1WATT	3	R27 R32 R46
330K 1/4W	72-RM330K	3	R19 R41 R54
470K 1/4W	72-RM470K	6	R7 R13 R18 R42 R59 R60
680K 1/4W	72-RM680K	1	R14
750K 1/4W	72-RM750K***	1	R69 (inform PS)
1M0 1/4W	72-RM1M	10	R15 R23 R26 R37 R48 R49 R51 R57 R62 R65
10M 1/4W	72-RM10M	1	R1
22n 100V axial	72-C22N-100VCA	2	C12 C49
100n 100V axial	72-C100N-100VCA	1	C51
1N4002	72-D-IN4002	4	D1 D2 D3 D4
15V ZENER	72-D-BZX55C15V	1	Z1
NOT FITTED			R11
2nd STAGE			

82R	4W resistor	72-RWW82R-4W	1	R20
47p	500V ceramic	72-C47P-500VCD	2	C17 C28
180p	100V ceramic	72-C180P-100VCD***	1	C46 (72-C150P-100VCA)
200p	polystyrene	72-C200P-630VPA	2	C3 C4 (72-C220P-630VPA)
330p	100V ceramic	72-C330P-100VCD2**	1	C57 (72-C470P-50VCD)
560p	100V ceramic	72-C560P-100VCD***	1	C43 (72-C560P-100VCA)
470p	polystyrene	72-C470P-160VPA***	1	C2 (72-C470P-630VPA)
470p	polystyrene	72-C470P-630VPA	3	C9 C19 C21 NEW PART
680p	polystyrene	72-C680P-630VPA	4	C8 C31 C34 C35 NEW PART
2n2	1KV ceramic	72-C2200P-1KVCD	1	C7
22n	400V poly box	72-C22N-400VP	11	C10 C11 C13 C15 C18 C27 C36 C47 C48 C50 C52
47n	400V poly box	72-C47N-400VP2	1	C5 C42
100n	250V poly box	72-C100N-250VP	1	C6
220n	63V poly box	72-C220N-63VP***	4	C1 C22 C38 C41 (72-C220N-50VCA)
330n	63V poly box	72-C330N-63VP***	1	C59 (72-C330N-50VCA)
1u5	35V tant	72-C1.5-35VT	3	C29 C32 C33
2u2	63V elect rad	72-C2.2-63VER***	4	C30 C37 C44 C45 (72-C2.2-35VT)
15u	63V elect axl	72-C15-40VEA***	7	C14 C16 C20 C23 C24 C25 C26 (72-C22-63VER)
22u	63V elect rad	72-C22-63VER	2	C39 C40
47u	16V elect axl	72-C47-16VEA***	1	C58 (72-C47-63VER)
47u	63V elect rad	72-C47-63VER	2	C54 C56
4700u	35V elect rad	72-CAP-470035V	2	C53 C55
SEMICONDUCTORS				
3mm TRI COLOUR LED		72-LED-TRI-3mm	1	D5 (Anglia LUGR38M) NEW PART
3mm RED LED		72-LED-RED-3mm	1	D6
J175		72-FET-J-175	12	TR1 TR2 TR3 TR4 TR5 TR7 TR8 TR11 TR12 TR13 TR15 TR16
J176		72-FET-J- 176	1	TR14 NEW PART
2N3904		72-T2N3904	6	TR6 TR9 TR10 TR20 TR21 TR22
2N3906		72-T2N3906	2	TR17 TR18
CONNECTORS				
8 way 0.1"		72-HEAD-8W-2	1	PL3
10 way 0.1"		72-HEAD-10W	2	PL1 PL2
¼ Mono Jack SKT		72-SKT-JCKBNBG	1	SK1
5 way ribbon		72-LK-5W60L	1	REV2 / MV1
PUSH SWITCHES		73-SWT-F2UEE-MOM	2	SW1 SW2
POTENTIOMETERS				
25K	LIN	73-POT-B25K	2	RV3 RV8
250K	LOG	73-POT-A250K	1	RV10
250K	LIN	73-POT-B250K	2	RV2 RV7
1M0	LOG	73-POT-A1M	5	RV1 RV4 RV5 RV6 RV9
CRIMP CONNECTORS		72-CRIMP-PCB-TAB	4	TX8 TX9 TX10 TX11
FUSE HOLDERS		72-FUS-HLD-PCB-4	2	FS1 check orientation
B9A PCB valve base		73-VAL-SOCKET-G	7	V1 – V7 on underside of PCB
BD647		72-TBD647	1	TR19
TO220 HEATSINK		G13-HS-TO220-14H	1	TR19
M3 SCREW		71-SCR-M3X12PPB	1	Part of heat sink assembly
M3 WASHER		71-WAS-M3INTSP	1	Same as Speed Twin see drawing
M3 WASHER		71-WAS-M3ABLK	1	"
M3 NUT		71-NUT-M3ZINC	1	"
INSULATING KIT		72-MOS-PAD-TO220	1	"
Heat sink compound				Between TR19, heat sink & chassis

ISSUE CHANGE NOTE DATE	ISSUE CHANGE NOTE DATE	ISSUE CHANGE NOTE DATE
ISSUE CHANGE NOTE DATE	ISSUE CHANGE NOTE DATE	ISSUE CHANGE NOTE DATE

GIBSON SUPER GOLD TONE 60 WATT VALVE OUTPUT STAGE AND DC SUPPLY



TITLE PROJECT DRAWING No ISSUE DATE DRAWN BY
 60 WATT VALVE POWER STAGE
 GIBSON SUPER GOLD TONE
 C000129
 N
 26 MAY 1999
 PAUL STEVENS

TRACE ELLIOT LTD
 BLACKWATER TRADING ESTATE
 WALDON ESSEX CM8 4QB
 GREAT BRITAIN
 TEL (01621) 851851
 FAX (01621) 881970

FOR USE WITH PG00128


 COMPONENTS USED ARE
 OF AN APPROVED TYPE AND
 MUST BE REPLACED ACCORDINGLY