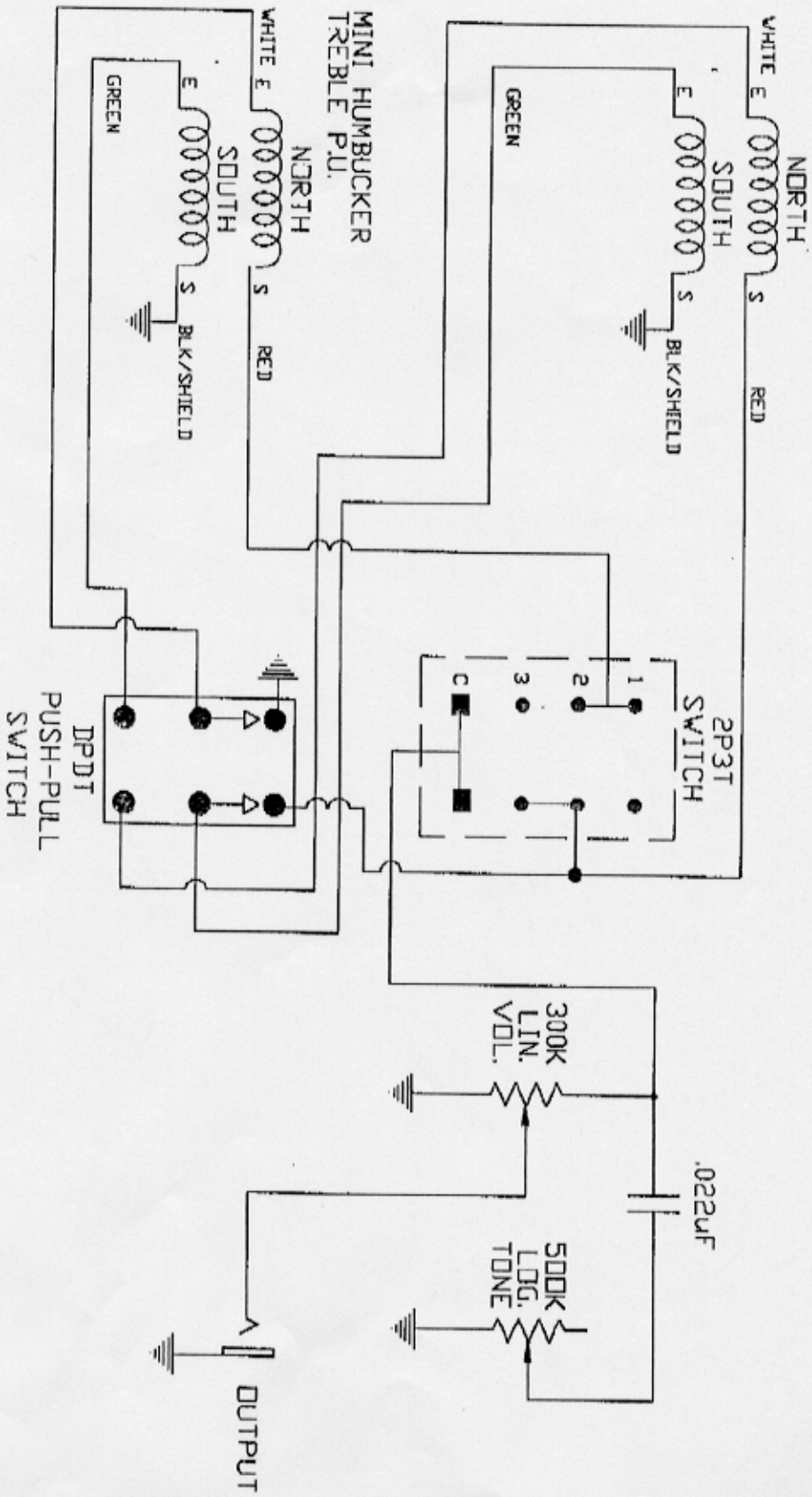


MINI HUMBUCKER RHYTHM P.U.



NOTE:
 E=END OF COIL
 S=START OF COIL
 NOTE: Tailpiece to be connected to common ground.

NOTE:
 THIS DRAWING AND ALL OF THE INFORMATION HEREON
 ARE THE CONFIDENTIAL PROPERTY OF GIBSON, INC. AND
 MAY NOT BE REPRODUCED OR USED FOR ANY PURPOSE
 EXCEPT AS EXPRESSLY AUTHORIZED IN WRITING BY GIBSON, INC.

LTR	REVISION	PCA NO.	DATE	PART:	SCALE:	DATE:	MATL:
				GIBSON GUITAR CORP.		7/22/96	
				641 MASSMAN DRIVE			
				NASHVILLE, TN 37210			
				(615) 391-1580			
				LANDMARK WIRING SCHEMATIC			
				DRAWN BY: <i>PLAXESSY</i>			
				CHK:			
				PART NO: SCH-DSLS			