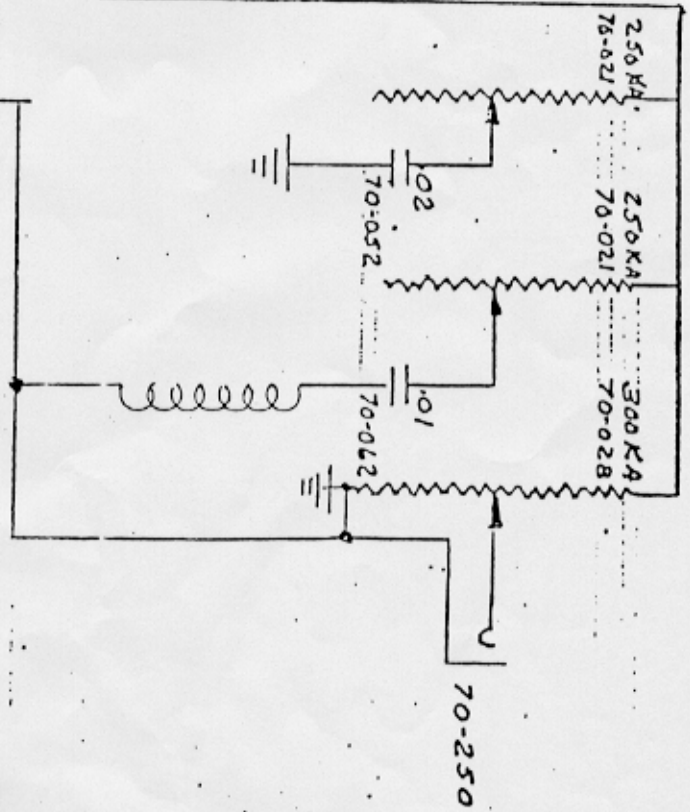
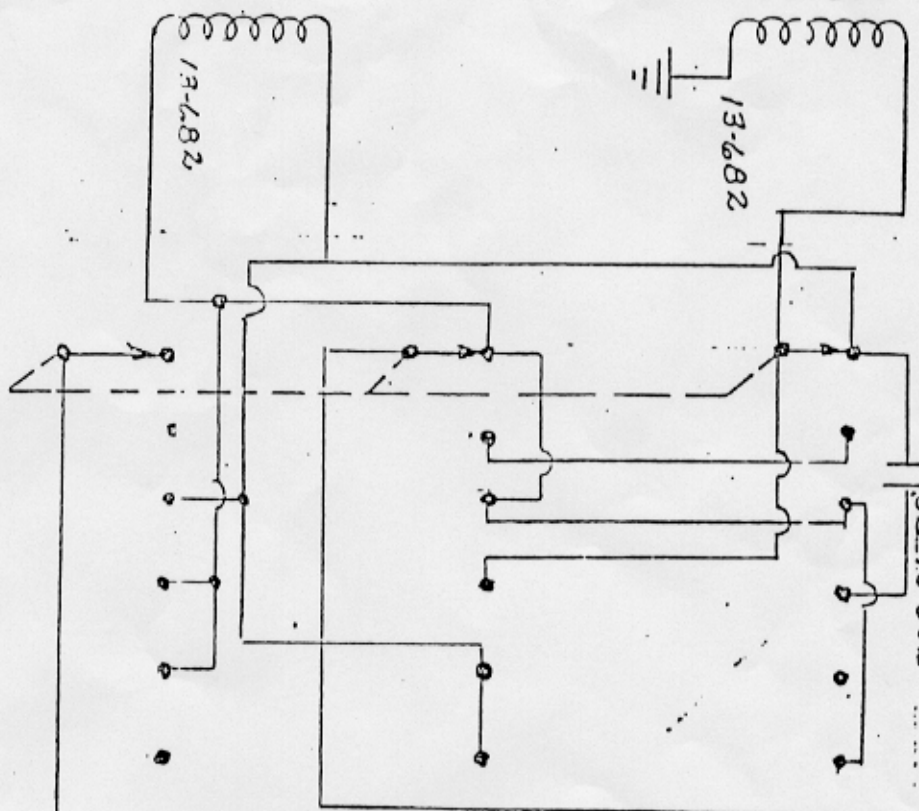


SWITCH 3P:6T
76-477



BRIDGE
.....
L-4ZGERDORRDCU
BRIDGE (L)

POSITION	ACTIVE P.U.	CONNECTED	MODE
1	BOTH	SERIES	IN PHASE
2	FINGERBOARD	—	—
3	BOTH	PARALLEL	IN PHASE
4	BOTH	PARALLEL	OUT OF PHASE
5	BRIDGE	—	—
6	BOTH	SERIES	OUT OF PHASE

LETTER	WAS	DATE	SCALE
			NO. REQ.
			HEAT TREAT.
			FINISH
			DRAWN
			CHECKED

GIBSON, INC.
KALAMAZOO, MICH.

PART NAME SCHEMATIC
26-5 (197

DATE 11-7-73

KIND MATERIAL
AMOUNT MATERIAL