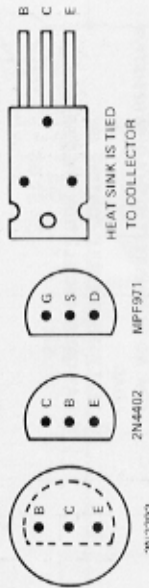
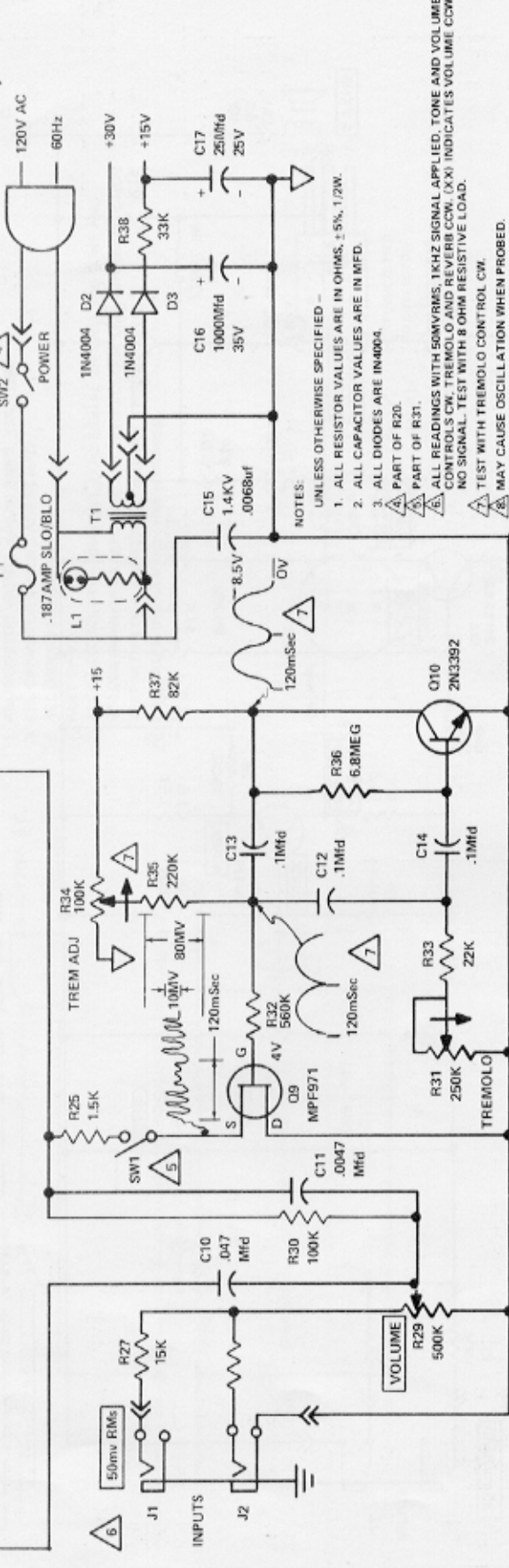
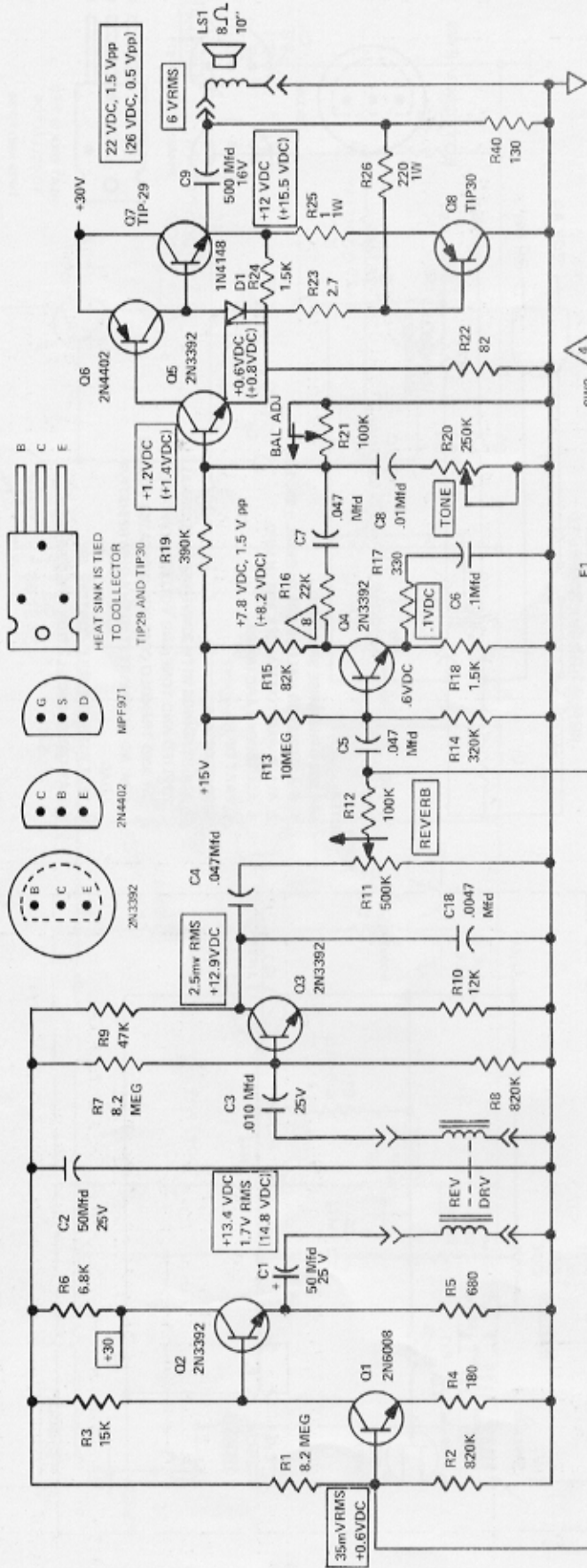


BOTTOM VIEWS



HEAT SINK IS TIED TO COLLECTOR OF TIP29 AND TIP30



NOTES:  
UNLESS OTHERWISE SPECIFIED -  
1. ALL RESISTOR VALUES ARE IN OHMS, ±5%, 1/2W.  
2. ALL CAPACITOR VALUES ARE IN MFD.  
3. ALL DIODES ARE 1N4004.  
4. PART OF R20.  
5. PART OF R31.  
6. ALL READINGS WITH 50mV RMS, 1KHZ SIGNAL APPLIED, TONE AND VOLUME CONTROLS CW, TREMOLO AND REVERB CCW. (X X) INDICATES VOLUME CCW. NO SIGNAL. TEST WITH 8 OHM RESISTIVE LOAD.  
7. TEST WITH TREMOLO CONTROL CW.  
8. MAY CAUSE OSCILLATION WHEN PROBED.