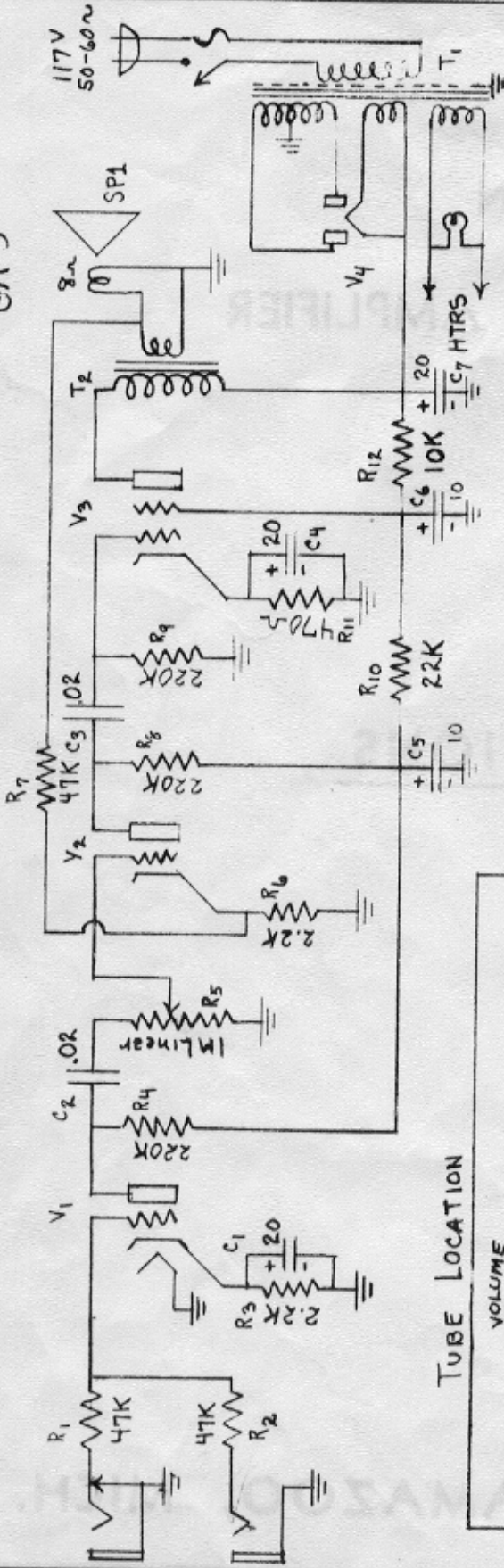
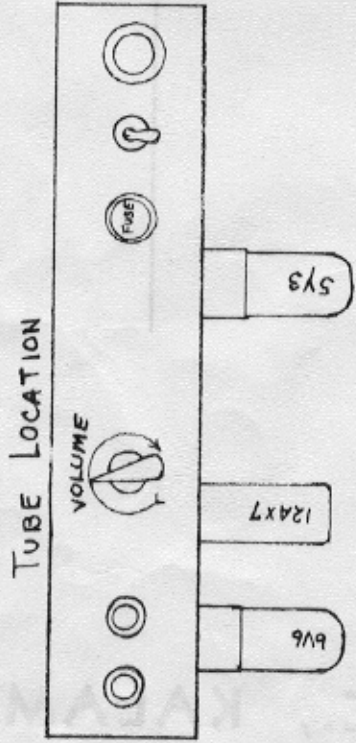


# GA-5



DC VOLTAGES TO CHASSIS USING VTVM (11 MEG INPUT)

TUBE	USE	PLATE	SCREEN	CATHODE
V1	12AX7	VOLTAGE AMPLIFIER	165	1.5
V2	"	"	165	1.5
V3	6V3	POWER	375	350
V4	5Y3	RECTIFIER	300V AC	380



## PARTS LIST

- R1, R2, R7 47K 1/2W, R3, R6 2.2K 1/2W, R4, R8, R9 220K 1/2W, R10 22K 1W, R11 470Ω 1W, R12 10K 1W, R5 1MEG LINEAR TAPER
- C1, C4 20MFD 25 VOLT, C2, C3 .02 MFD 400VOLT, C5, C6 10MFD 450VOLT, C7 20MFD 450VOLT
- T1 POWER TRANSFORMER # GASP T2 OUTPUT TRANSFORMER # GA5-0 SP1 SPEAKER, 8" dia, 8Ω VC, TYPE 8J11.

When only one instrument is used plug into #1 input jack.  
 This amplifier designed for 105-125 volt, 50-60 cycle current.  
 Damage will result if connected to improper power source.  
 Use the above schematic to facilitate service by a reliable radio man.

Do not use higher rating fuse than one ampere, type 3 A.G.  
 This amplifier was carefully checked and in good playing condition when shipped. If damaged when received call transportation company immediately and place claim.