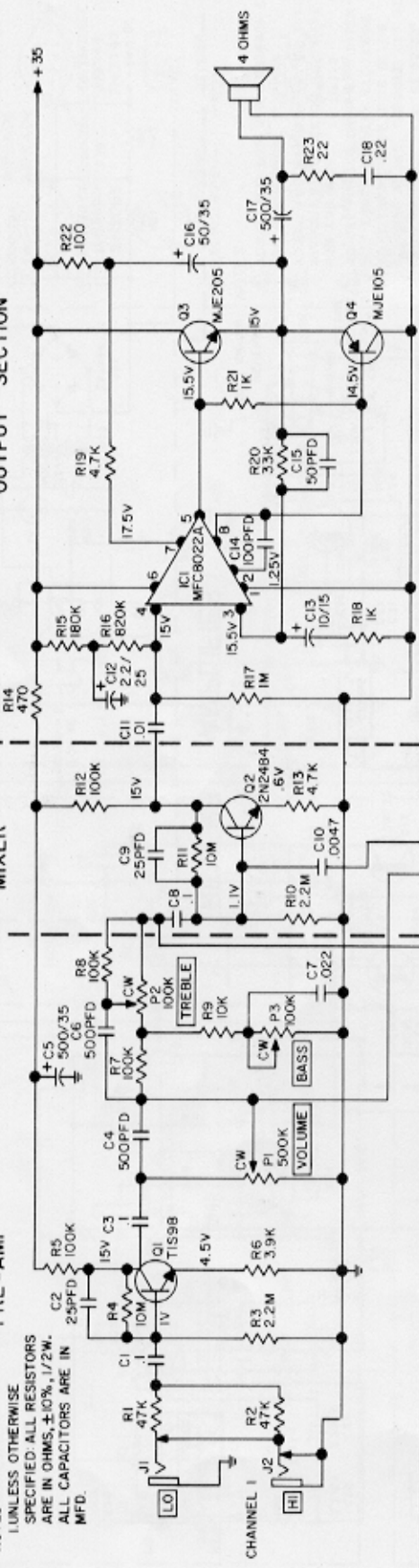


PRE-AMP

MIXER

OUTPUT SECTION

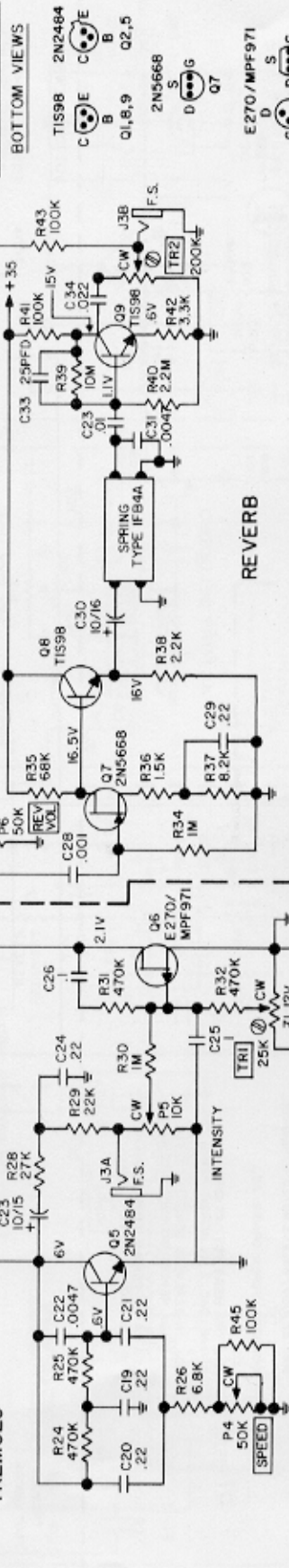
NOTES:
1. UNLESS OTHERWISE SPECIFIED, ALL RESISTORS ARE IN OHMS, ±10%, 1/2W. ALL CAPACITORS ARE IN MFD.



TREMOLO

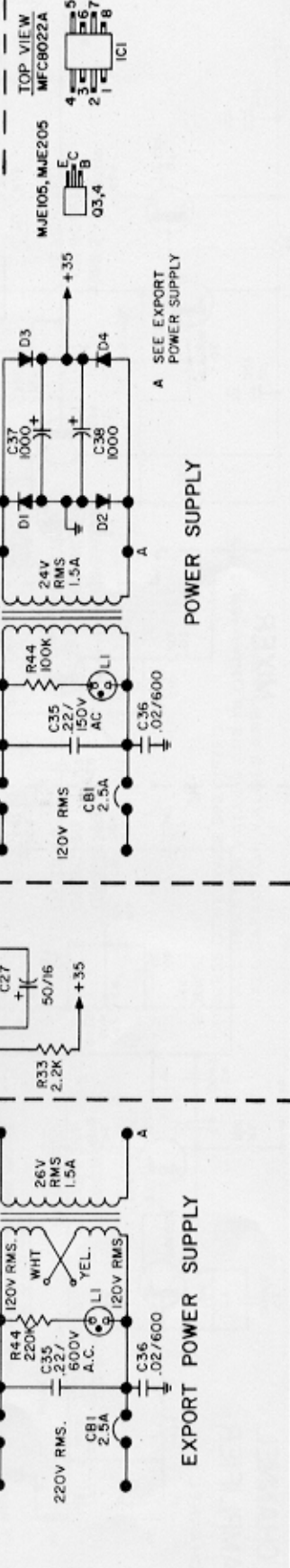
REVERB

COMPONENT BASING



EXPORT POWER SUPPLY

POWER SUPPLY



G35 (REV A) GUITAR AMPLIFIER SCHEMATIC DIAGRAM