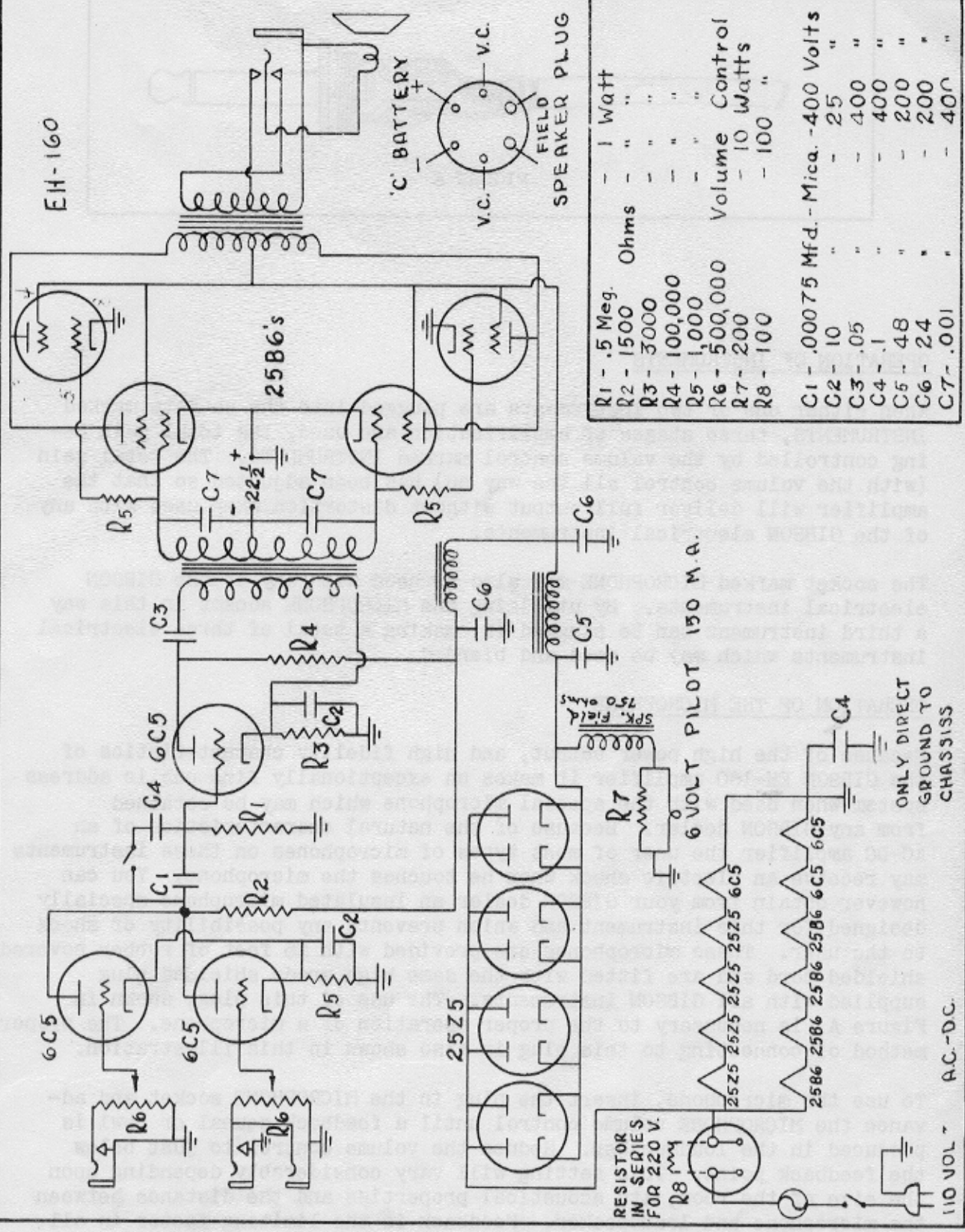


EH-160



R1 - .5 Meg.	Ohms	- 1 Watt
R2 - 1500	"	"
R3 - 3000	"	"
R4 - 100,000	"	"
R5 - 1,000	"	"
R6 - 500,000	"	Volume Control
R7 - 200	"	- 10 Watts
R8 - 100	"	- 100 "
C1 - .00075 Mfd.	Mica	- 400 Volts
C2 - 10	"	- 25 "
C3 - .05	"	- 400 "
C4 - .1	"	- 400 "
C5 - .48	"	- 200 "
C6 - .24	"	- 200 "
C7 - .001	"	- 400 "

RESISTOR IN SERIES FOR 220 V.

R8 1/2 W

6 VOLT PILOT 150 M.A.

ONLY DIRECT GROUND TO CHASSIS

110 VOL - AC-DC.