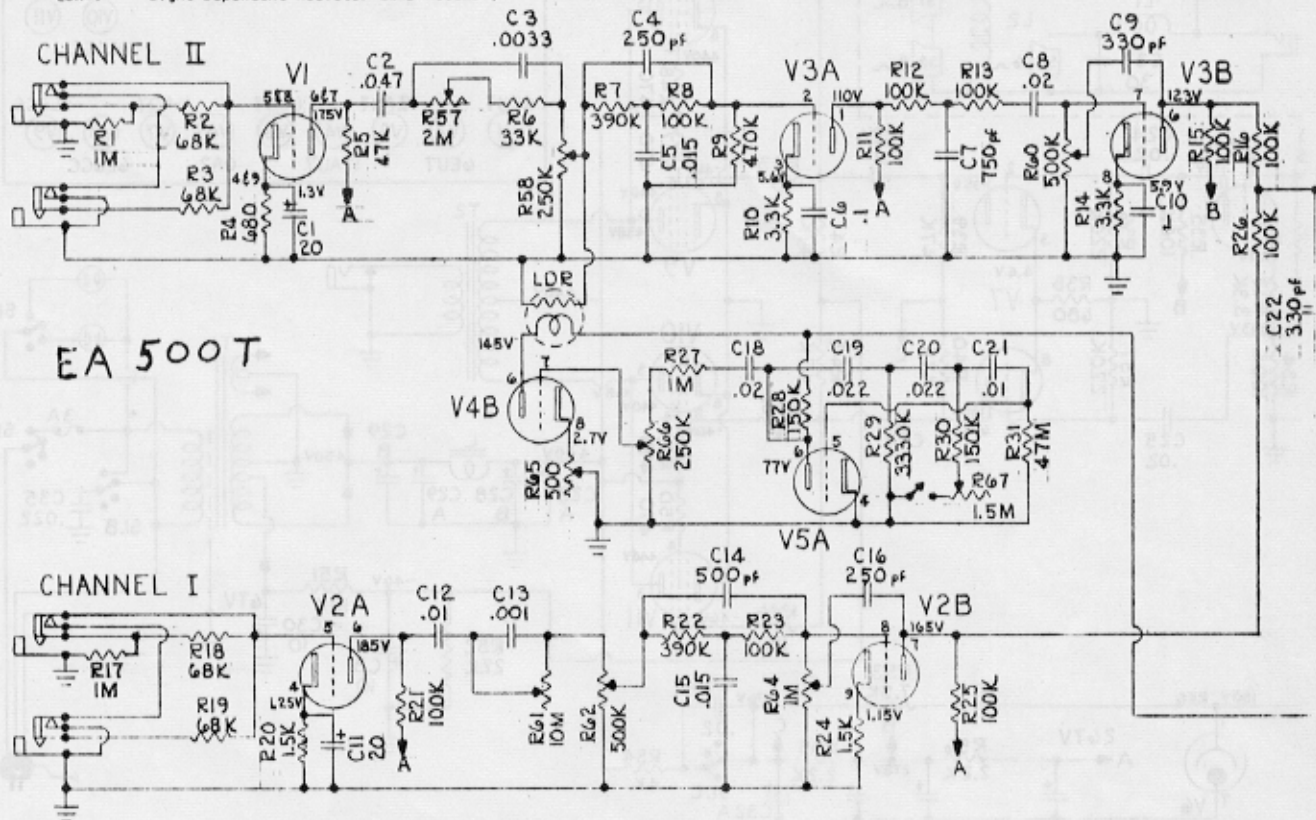


T1	Power Transformer	TF-135P	(2)	Speakers, 10" 8 ohm	S-12197
T2	Output Transformer	TF-531-0	(1)	Speaker, 15", 16 ohm	S-0128
L1	Filter Choke	TF-3021H	R61	10 meg reversed audio (bass) control	C-BA-811-3710
L1, L2	Inductances 3.7 mh		R58, R66	250K audio taper (volume and depth) control	C-BA-811-3701
			R57	2 meg reversed audio (BASS) control	C-BA-811-3781
S1	Switch - off, standby, on-on	SW-78	R62, R60	500K audio taper (volume and treble) control	C-BA-811-3707
			R64	1 meg audio taper (treble) control	C-BA-811-3709
LDR-1	Light Dependent Resistor Lamp Assembly	RE-LDR-430G	R87	1.5 meg reversed audio (frequency) control	C-BA-811-3711
			R65	500 ohm wire wound control	C-B-2339



UNPACKING

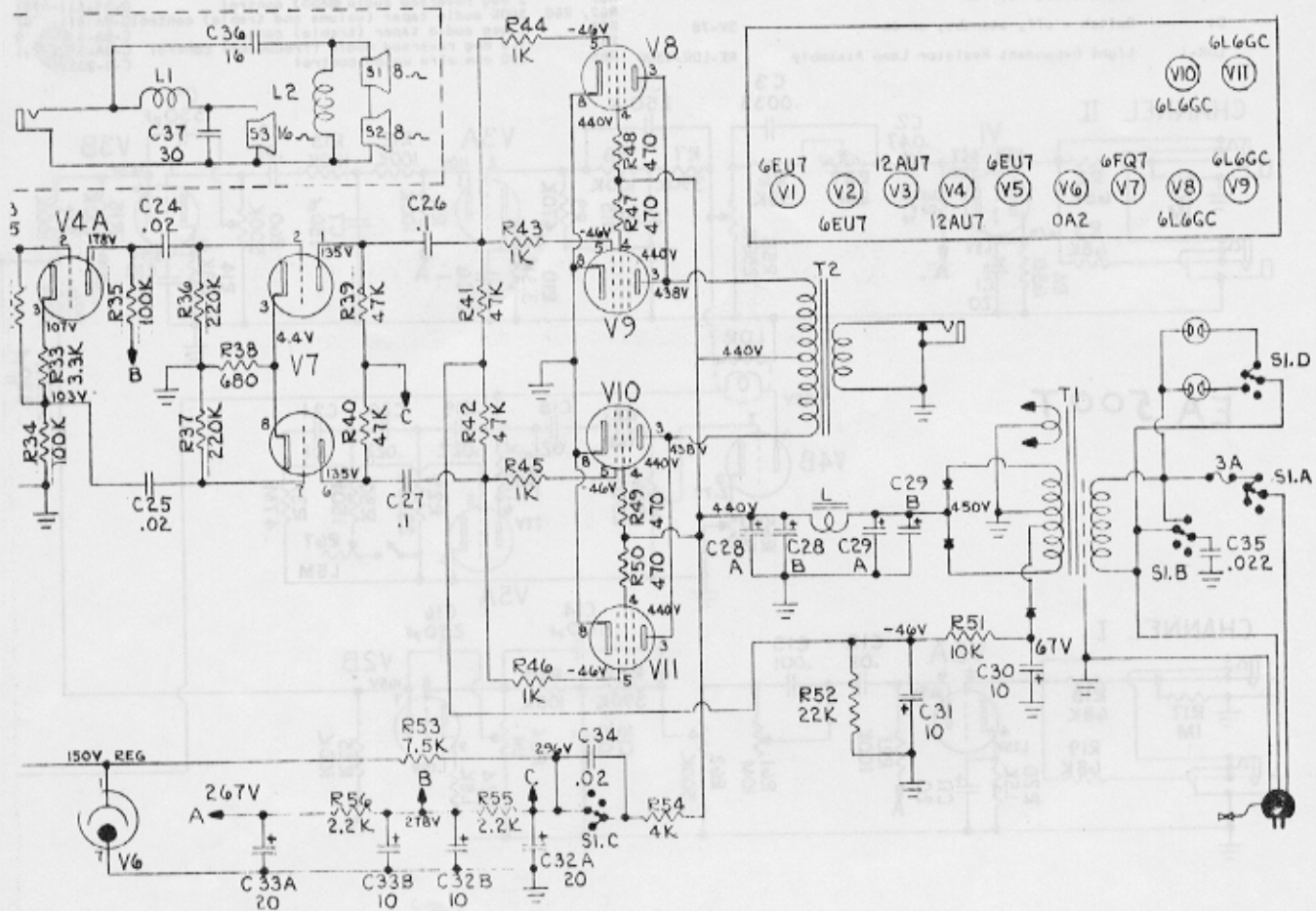
Amplifiers are carefully packed to prevent damage in shipment. However, upon receipt of the amplifier, examine carefully to determine if there has been breakage of tubes or parts. If damage has occurred during shipment, call the Transportation Company immediately, and place a claim.

CAUTION

Damage to the amplifier will result if it is connected to an improper power source. This amplifier is designed to be operated on 105-125 volt, 50-60 cycle alternating current only. The voltage from the power lines should not exceed 125, and the frequency of the current should be either 50 or 60 cycles. When ready to use amplifier, insert the plug on the power cord into the electric outlet and move switch to "on." After approximately one minute for the tubes to heat, the amplifier is ready for use.

SET UP INSTRUCTIONS

A set of 4 heavy duty casters are furnished with this amplifier for ease of moving it from one place to another. They are detached from the amplifier at time of shipment and are taped to the amplifier cabinet in a brown vinyl bag. They can be easily attached or detached as needed. When playing this amplifier at relatively high power output it is suggested the casters be removed to eliminate the possibility of synthetic vibrations or rattles.



The Piggy Back amplifier may be played on or off the speaker cabinet. When playing it on the speaker cabinet be sure it is fastened securely by the locking fixtures provided.

SPEAKER CORD CONNECTION

The speaker cord is packed with the A. C. supply cord. One end must be plugged into the speaker jack located on the speaker cabinet back panel and the other end should be plugged into the speaker jack located on the back of the amplifier chassis.

A.C. POWER-POLARITY SWITCH

A convenient switch has been provided for performing a total of three functions, turning the amplifier on and off, putting the amplifier in "Standby" and selecting the proper polarity of the power source which reduces the A.C. hum and other extraneous noises to a minimum. In the "Standby" position the amplifier is kept "warmed up" and ready to play at the instant the switch is advanced to the "On" positions. Two "On" positions have been provided. The hum and hiss level on one of the "On" positions will be noticeably lower — this is the correct "Polarity" for using the amplifier.

In locations of extremely high noise levels, clipping the "Ground Clip" to a grounded object will greatly reduce objectionable noise and hum.

As an added convenience to the artist this amplifier is equipped with a "Standby pilot light" as well as the "Regular pilot light". When the "Amber" light is on, the amplifier is in "Standby"; when the "Red" light is on the amplifier is "On" and ready to play.