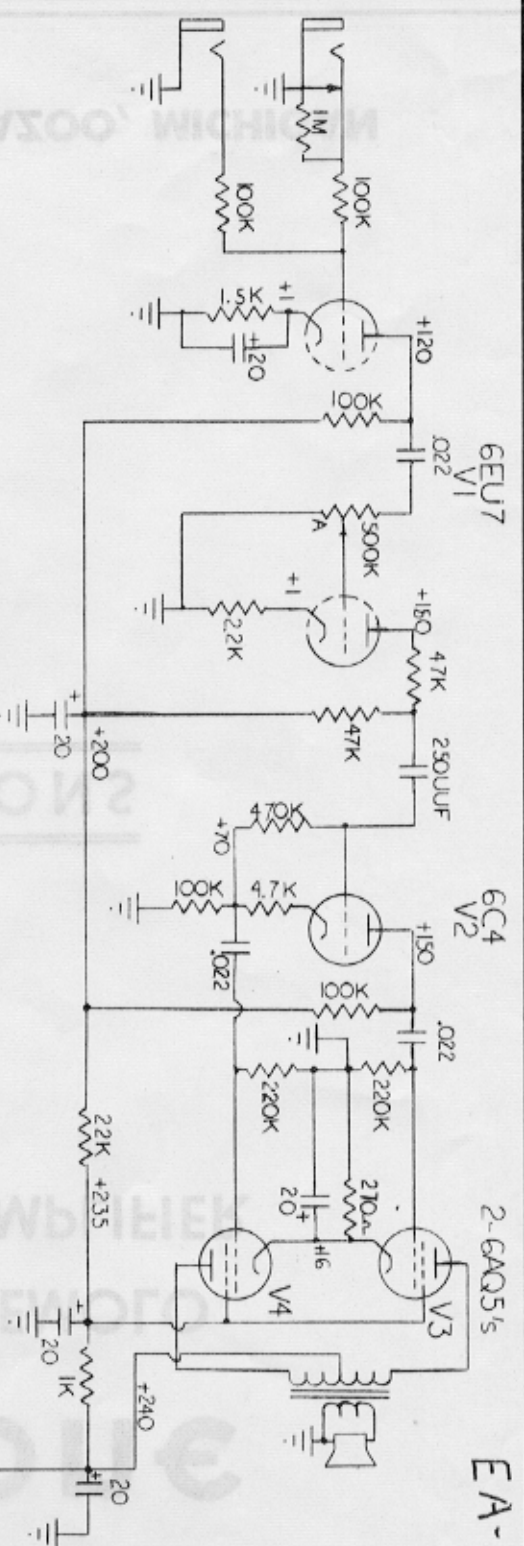


EA-50

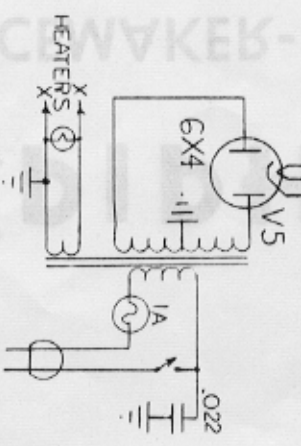


DC. VOLTAGES MEASURED TO GROUND WITH VT.VM.

TUBE LOCATION CHART



- (V5) 6X4
- (V4) 6AQ5
- (V3) 6AQ5
- (V2) 6C4
- (V1) 6EU7



110-125 VOLTS
50-60 CYCLES